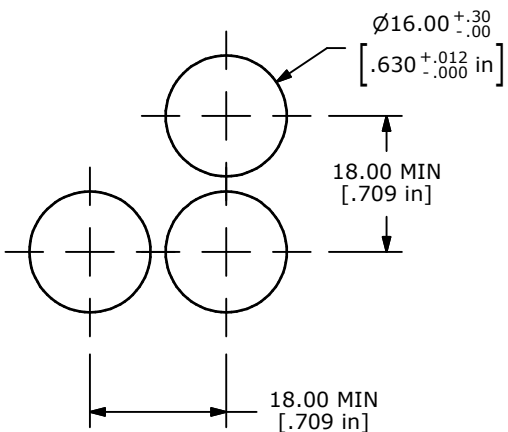
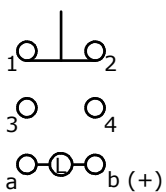
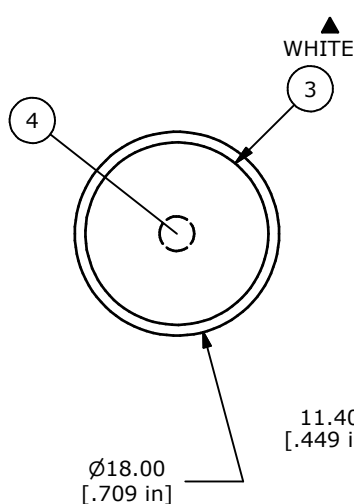


PARTS LIST				
ITEM	QTY	PART NUMBER	DESCRIPTION	
1	1	F040015	P16EER11	
2	1	F051601	P16 PLASTIC TERMINAL PROTECTOR	
3	1	F050105	50-001-05 ROUND OPAQUE WHITE LENS (CONCAVE)	
4	1	F050404	50-004-04 12V INCANDESCENT BULB - 80mA	



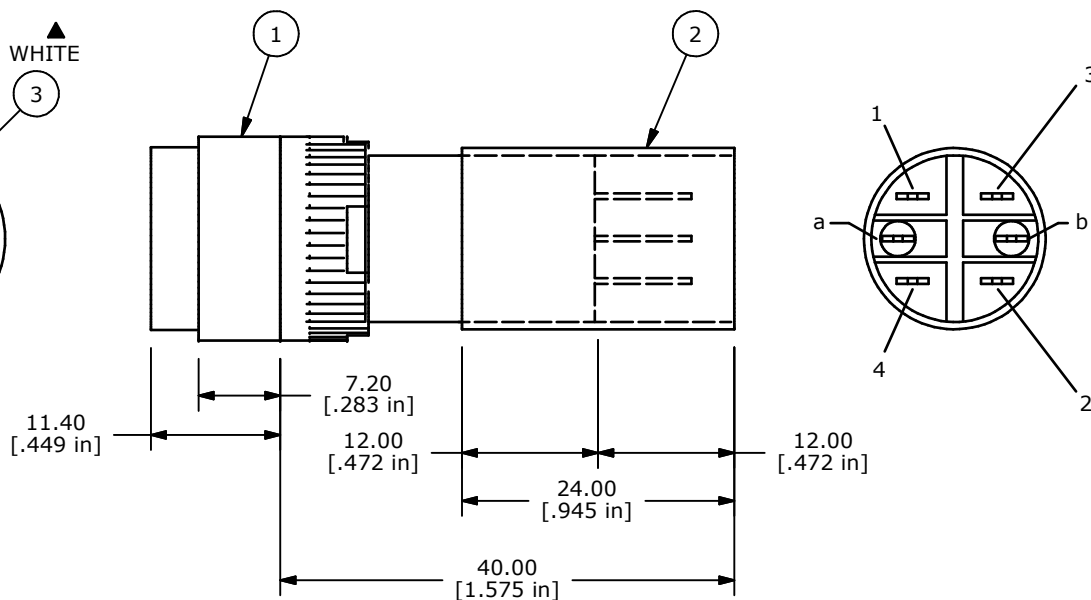
PANEL MOUNTING



CONTACT CONFIGURATION

NOTE:

1. ALL DIMENSIONS IN MM [INCH]
2. GENERAL TOLERANCE: X.X=±0.4
X.XX=±0.25
3. TERMINAL NUMBERS FOR REF ONLY
4. MECHANICAL LIFE: 2,000,000 OPERATIONS
5. CONTACT RATING: 5A @250VAC, 8A @125VAC
6A @24VDC
6. MOUNTING PANEL THICKNESS: 0.5 - 5.0mm
7. SEAL RATING: IP40
8. INSULATION RESISTANCE: 1,000 MILLI-OHM MIN.
9. OPERATING TEMP.: -25°C to 55°C
10. TRAVEL: 3.0mm FULL TRAVEL
- ▲ 11. LAMP VOLTAGE: INCANDESCENT: 14V (AC or DC), 80mA
12. ▲ DENOTES CRITICAL PARAMETER.
13. 2002/95/EC (ROHS) COMPLIANT



A	18953	RERelease For Production	3/17/10	BLR
REV	PCR NO	DESCRIPTION	DATE	BY

TITLE P16EER11BWHT				
SCALE	DATE	DR	DWG	REV
2:1	3/17/2010	BLR	XF0815P	A

THE INFORMATION CONTAINED IN THIS DOCUMENT IS PROPRIETARY TO E-SWITCH AND IS NOT TO BE COPIED OR TRANSFERRED